

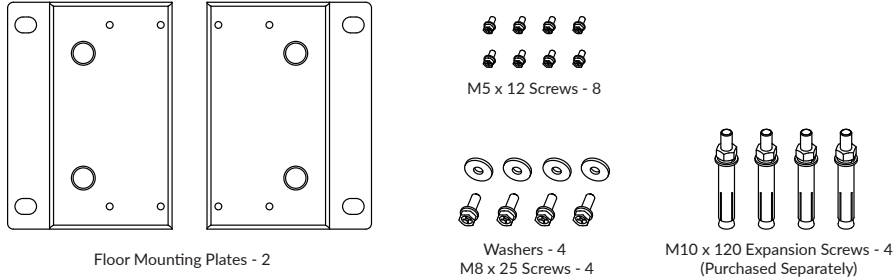
aPower Floor Mounting Plate Installation Guide

Introduction

The floor mounting plates provide a secure option for stably mounting the aPower on the ground. This document describes the installation procedures of the aPower by using the floor mounting plates.

Package Contents

Check your product package for the following items before installation.



Tools Needed

- #13 Open-end wrench
- Phillips head screwdriver
- Electric drill
- Drill bit - $\varnothing 10$
- Hammer
- Torque wrench M5/M8/M10

Torque Requirements

Screws and their corresponding tightening torques are as shown below.

Screw type	Tightening torque
M5	2.2 lbf·ft (3 N·m)
M8	8.85 lbf·ft (12 N·m)
M10	18.5 lbf·ft (25 N·m)

Installation Site

Mount the aPower on a solid concrete block or the equivalent hard surface. The minimum required area for installation is 59 in. x 39.4 in. (1.5 m x 1.0 m). And if floor mounting on a concrete block, ensure a minimum depth of 4.0 in. (0.1 m).

The aPower installation location requires a clean environment, adequate clearance, and sufficient ventilation. The mounting area should be flat, with a variance of not more than 0.08 in. (2 mm) where the aPower will be mounted.

Personnel

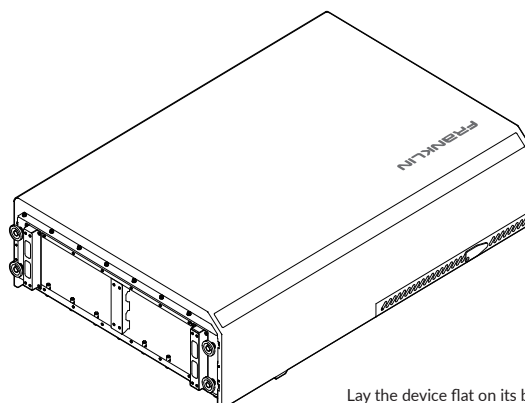
At least two qualified installers are required to install the aPower.

NOTE: Handle with care to prevent scratches to the casing or severe vibration.

Procedures

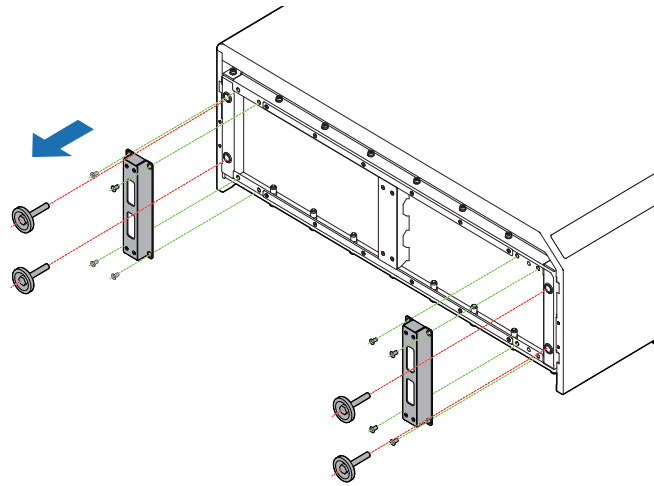
Removing the Old Plates

- 1 Carefully lay the aPower on its back on the packing carton.



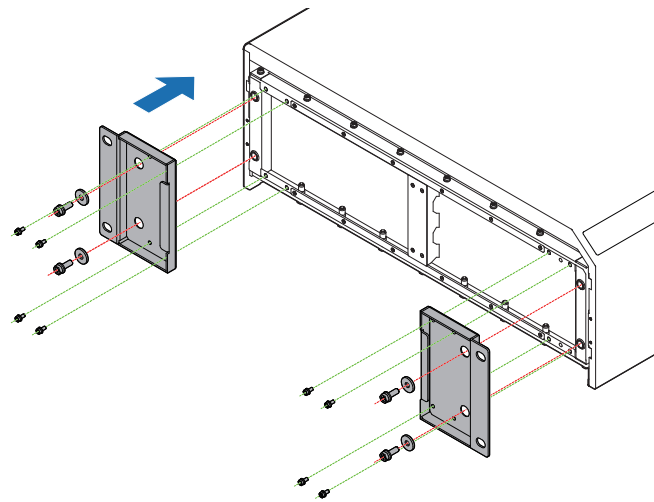
Lay the device flat on its back.

- 2 Remove the leveling feet, screws, and plates from the bottom of the aPower.



Installing the Floor Mounting Plates

Install the floor mounting plates as shown and secure with M5 x 12 screws, washers, and M8 x 25 Screws.



Securing aPower on the Ground

- 1 Place the aPower upright at the installation site and mark four drilling spots.
- 2 Move the aPower aside. Drill holes at the marked spots.
The size of the holes should match that of the expansion screws. The depth of the holes should be at least 3.15 in. (80 mm).
- 3 Move the aPower so that the holes in the plates align with the drilled holes and secure with the expansion screws.

