



aGate X Storage and Transportation Guide

Version 1.1.01

Issued on: February 01, 2023

©2023 FranklinWH Energy Storage Inc. All rights reserved.

All information in this Manual is subject to the copyright and other intellectual property rights of FranklinWH Energy Storage Inc. This manual may not be modified, copied or reproduced, in whole or in part, without the prior written permission of FranklinWH Energy Storage Inc.

Please visit www.franklinwh.com/support for the latest Franklin Home Power documents.

All brands and trademarks mentioned in this document are the property of their respective owners, and their use in this document does not imply the sponsorship or recognition of their products or services.

Please read this document carefully to ensure the best reliability of the product and your warranty eligibility. For further information about warranty, please refer to the **Franklin Home Power Limited Warranty**.

This document is intended for use by professional installation and maintenance service providers only and no statements, information or recommendations in this document constitute any express or implied warranty.



Please read this document carefully before installing or using the Franklin Home Power equipment. Failure to follow any instructions or warnings in this document may result in damage to the equipment, personal electric shock, severe injury, or even death.

Product Information

Franklin Home Power (FHP) is composed of aPower, aGate and other electrical components, and this document applies only to the following products: aPower X and aGate X.

FranklinWH Energy Storage Inc. ("FranklinWH") reserves the right to make any improvements to the product, and the contents in this document shall be subject to updates without further notification.

All images and pictures provided in this Manual are only for demonstration purposes and may differ in detail from the product, based on the product version.

Feedback

If you have any questions or comments, please send us an email at: service@franklinwh.com

Disposal of Scrapped Products

Scrapped products (including their internal chemicals and electrical materials) should not be disposed of with household wastes. Please refer to your local laws and regulations regarding disposal.



CONTENT

Purpose	1
Packaging	1
Dimensions.....	1
Packing List	2
Handling	2
Storage	4
Transportation	5
Damaged Parts	6

Purpose

This document is provided by FranklinWH Energy Storage Inc. (“FranklinWH”) to its licensed dealers, transportation carriers, storage providers and business partners. It describes the basic information in relation to the packaging, transportation and storage of aGate X products. For more information, please contact FranklinWH.

Packaging

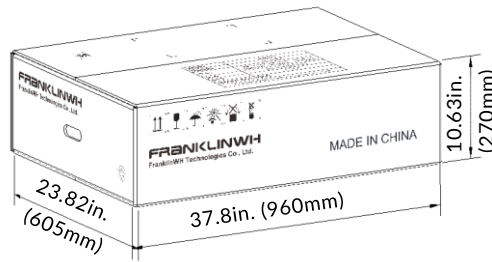


NOTE

The outer packaging and the list of accessories are for demonstration purposes only. Depending on product delivery time, details may appear slightly different.

Dimensions

As shown in the figure, aGate X is packaged in cartons. The package dimensions are as follows.



Gross Weight	Length	Width	Height
58.9lbs (26.7kg)	37.8in. (960mm)	23.82in. (605mm)	10.63in. (270mm)

Packing List

Parts and materials in the package include:

- aGate X body
- aGate X accessories (tags, 20 pcs 5.91in. (150mm) long nylon cable ties, water-tight washer 1/4 in., 2 pcs screws).

Handling



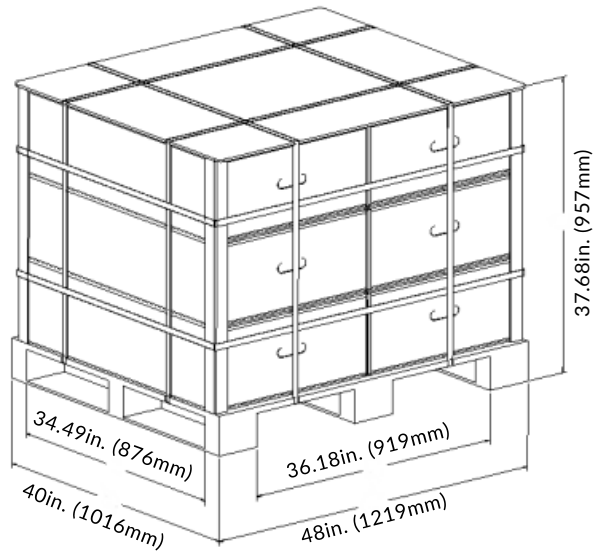
NOTE

- Please make sure that the product remains in the package and is kept in a flat position until it is delivered to the installation site.
 - Please make sure that the package is not pierced or damaged and remains well protected from extreme weather or temperature.
 - Please wear appropriate personal protection equipment, such as gloves and protection shoes, during the operation or handling process.
-

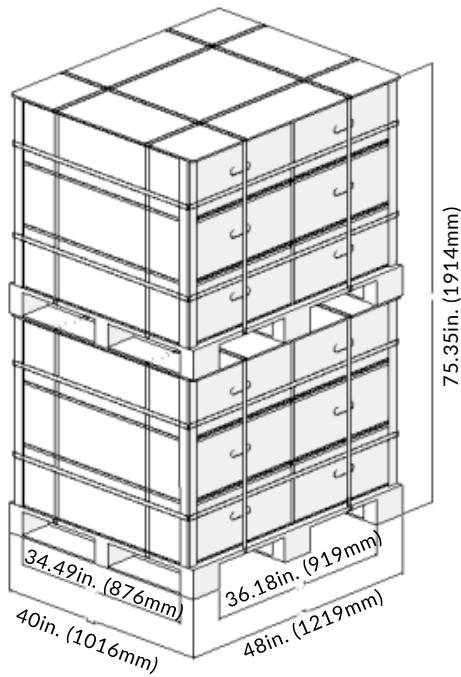
Please observe the rules below while storing or handling the units:

- Vertically stackable up to 6 aGate X's or 2 pallets.
- If a forklift truck is used, please handle at most 1 pallet at a time.
- Take care during the handling process to protect the units from impacts, falls, collision, etc.

Stacking plan with 6 aGate X cartons:



Stacking plan with 2 aGate X pallets:



Storage

Compliance with the storage and transportation requirements below will ensure the aGate X stays within the warranty parameters. The aGate X's internal electrical components require these listed storage parameters:

- The electrical components in the aGate X are sensitive to temperature. Please keep the ambient temperature between -22°F (-30°C) and 140°F (60°C) and keep the relative humidity less than 95% (RH) non-condensing, during storage and transportation.
- The internal components of the aGate X may become damaged by heat and UV rays. Please keep the product away from direct exposure to sunshine, excessive heat, and open flame.
- The internal electrical components of the aGate X may be damaged by water. Please keep the product well protected from rain and excessive humidity.
- The aGate X should be kept away from corrosive gases and explosives during transportation and storage.



NOTE

The term “storage” in this document refers to:

- Warehouse storage of new FranklinWH products excluding the products stored for maintenance, fixing or recycling.
 - The new product is kept in a factory sealed package without any damage.
-

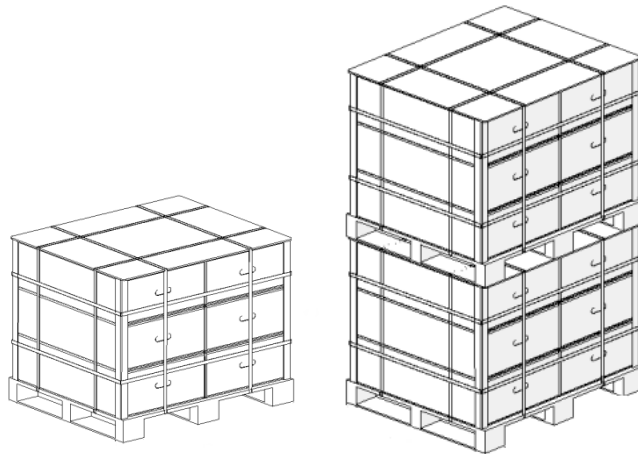
Transportation



NOTE

- The ownership of and responsibilities for the products will be transferred as the product is delivered, and dealers are responsible for transporting and delivering the product in accordance with the applicable rules and regulations.
- Do NOT place any heavy objects on the product package, as that may damage the carton or the product.

Products may be vertically stacked up to 6 aGate X units or 2 pallets.



Every dealer should be responsible for training their transportation staff and management on the local transportation rules and guidelines specified in this document.

Damaged Parts

If the product is found damaged, please attach a high-voltage or electric shock warning sign to the product before handling the packages and/or other parts in the package. Please visit the official [FranklinWH website](#) and complete the service application in order to receive technical support or information in relation to the damage and/or returning of the product.

For more information, please contact the after-sales service team.

Telephone: +1 888-837-2655

E-mail: service@franklinwh.com

Website: www.franklinwh.com

Address: 1731 Technology Dr., Suite 530, San Jose, CA 95110