

# aGate

## Intelligent energy management system

Serves as the controller for all home power sources by interconnecting solar, grid, batteries, and a standby generator to supply electricity to the home. Seamlessly transitions the home supply from grid power to backup power so that always-on appliances, such as the refrigerator and network router, will not be affected when grid goes down.



- ✓ Micro-grid interconnect device (MID)
- ✓ Integrated PV and grid metering
- ✓ Auto load-shedding

- ✓ Compatible with micro and string solar inverter
- ✓ Optional Smart-Circuits Module
- ✓ Optional Generator Module

### PERFORMANCE SPECIFICATIONS

Model Number	aGate X
Coupling	AC-coupled
Nominal AC Voltage	120 / 208 V, 120 / 240 V, 60 Hz
Phase	2 W+N+PE
aPower Over Current Protection Device	100 A Max
Solar Input Over Current Protection Device	80 A Max
Backup Load Port Over Current Protection Device	200 A Max
Generator Over Current Protection Device <sup>1</sup>	200 A Max
Smart Circuits Over Current Protection Device <sup>2</sup>	Opt. a 1 × 80 A Max @ 208 V / 240 V & 1 × 50 A Max @ 208 V / 240 V Opt. b 1 × 80 A Max @ 208 V / 240 V & 2 × 50 A Max @ 120 V
Maximum Supply Fault Current	20 kA
Busbar Rating	280 A
Work Modes	Self-Consumption, Time of Use, Emergency Backup
Communications	Ethernet / 4G / Wifi
User Interface	FranklinWH App
Warranty	12 years

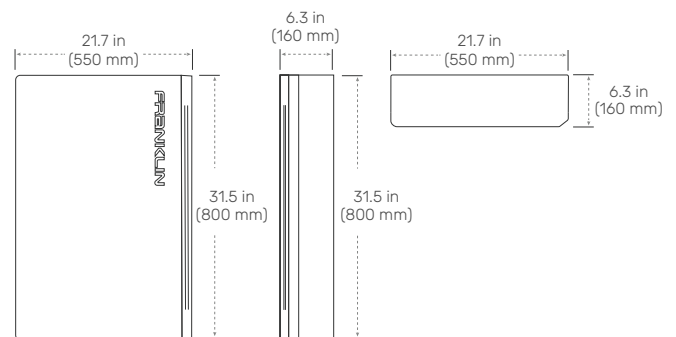
### COMPLIANCE INFORMATION

Certifications	UL 1741 <sup>3</sup> , UL 1741 PCS <sup>3</sup> , UL 67 <sup>3</sup> , UL 869A <sup>3</sup> , UL 916 <sup>3</sup> , CAN/CSA C22.2 No. 107.1-16, CSA C22.2 No. 29, CSA C22.2 No. 0.19
Seismic	AC 156, OSHPD, IEEE 693-2005 (high)
Environmental	California Proposition 65 RoHS Directive 2011 / EU
Emissions	FCC Part 15 Class B, ICES 003

1. Generator Module is optional.  
2. Smart Circuit Module is optional.  
3. Sections from these standards were used during the safety evaluation and included in the UL 1741 listing.

### MECHANICAL SPECIFICATIONS

Dimensions (H × W × D)	31.5 in × 21.7 in × 6.3 in (800 mm × 550 mm × 160 mm)
Weight	50 lb (23 kg)
Mounting	Wall mount or floor mount

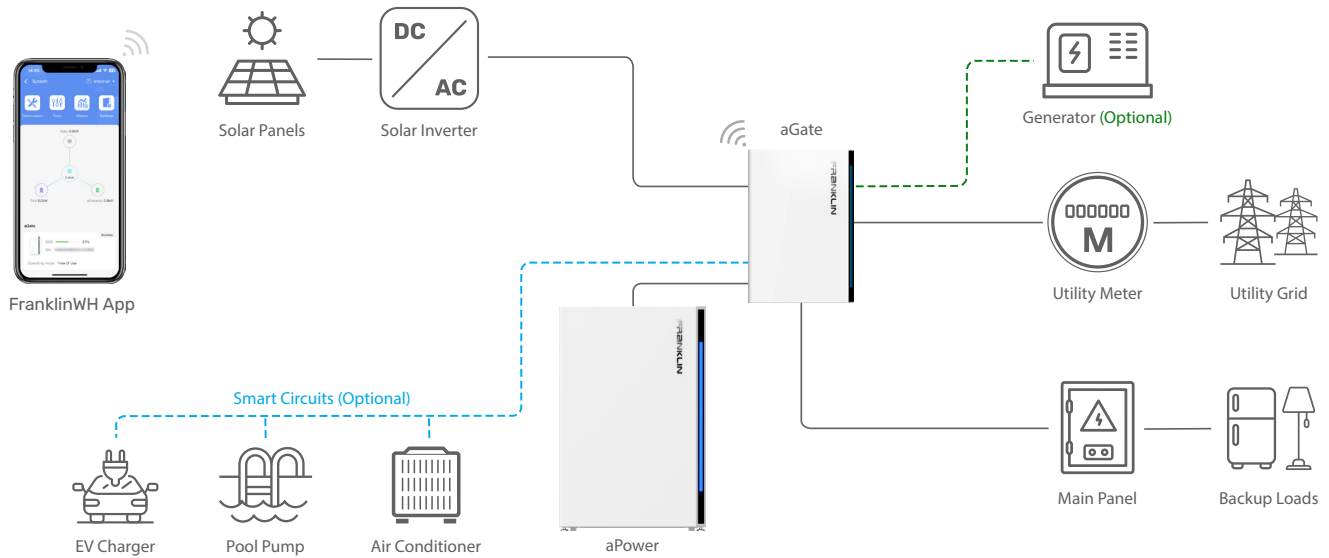


### ENVIRONMENTAL SPECIFICATIONS

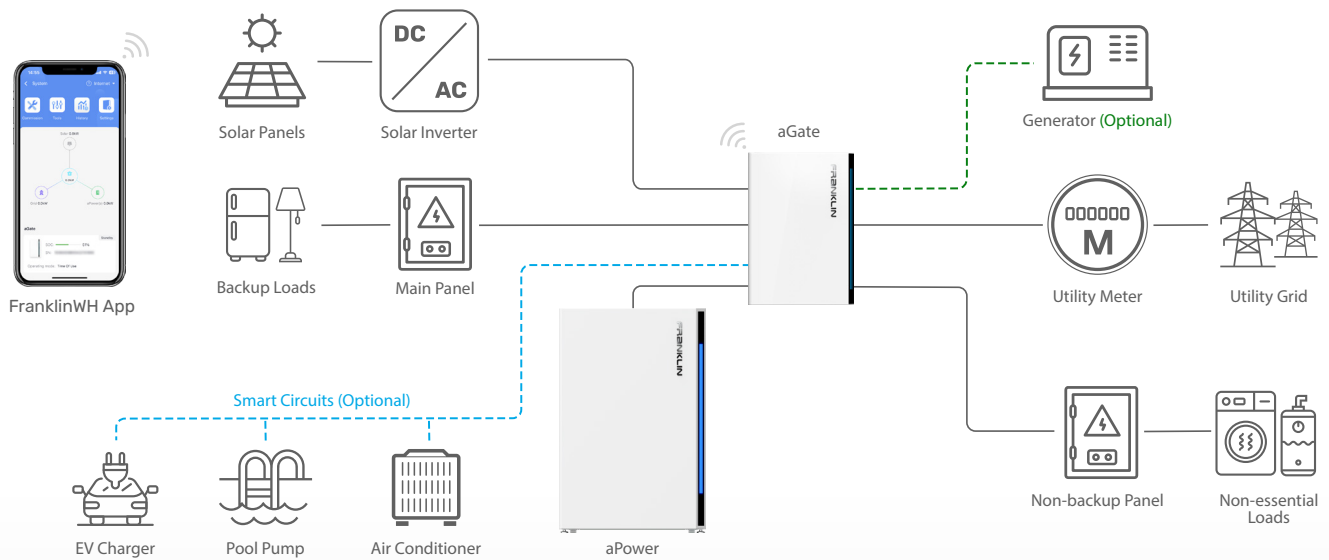
Enclosure Type	NEMA 3R
Operating Temperature	-4°F to 122°F (-20°C to 50°C)
Operating Humidity (RH)	Up to 100% RH, condensing
Altitude	Maximum 9,843 ft (3,000 m)
Environment	Indoor and outdoor rated

# Franklin Home Power Solution

## Whole Home Backup



## Partial Home Backup



**Address:** 1731 Technology Dr., Suite 530 San Jose, CA 95110 **Telephone:** +1 888-837-2655 **Email:** info@franklinwh.com **Website:** www.franklinwh.com

Copyright 2024 FranklinWH Energy Storage Inc. All rights reserved. The Franklin logo, FranklinWH, and other trademarks or service names are the trademarks of FranklinWH Energy Storage Inc. The document is for informational purposes only, data subject to change. 2024-09-09

